

# Tiandy



TC-C35WS Spec: I5/E/Y/M/H/2.8mm(4mm)/V4.0

## 5MP Starlight IR Bullet Camera

Pro Series



### KEY FEATURES

- Full Metal Housing
- Up to 2592x1944@30fps, 1920x1080@60fps
- S+265/H.265/H.264/M-JPEG
- Min. illumination Color: 0.002Lux@F1.6
- Smart IR, IR Range: 50m
- Support Video Analytics
- Support Human/Vehicle Classification
- Support Face Capture Mode
- Built-in Mic, audio I/O 1/1, alarm I/O 1/1
- Plugin Free
- Operating Conditions -40°C~65°C, 0~95% RH
- POE, IP67



**Tiandy Technologies Co., Ltd.**

Email: [sales@tiandy.com](mailto:sales@tiandy.com) Tel: +86-22-58596178  
Website: [en.tiandy.com](http://en.tiandy.com) Fax: +86-22-58596048



## SPECIFICATIONS

<b>Camera</b>	
Image Sensor	1/2.8" CMOS
Signal System	PAL/NTSC
Min. Illumination	Color: 0.002Lux@ (F1.6, ACG ON), B/W: 0Lux with IR
Shutter Time	1s to 1/100,000s
Day & Night	Dual IR Cut Filter with Auto Switch
Wide Dynamic Range	120dB
Angle Adjustment	Bracket, pan 0~360°, tilt 0~75°, rotate 0~360°
<b>Lens</b>	
Lens Type	Fixed
Focus	2.8mm/4mm
Lens Mount	M12
Aperture	F1.6, Fixed
FOV	Horizontal field of view: 95.6° (2.8mm)/77.9° (4mm)
<b>Illuminator</b>	
IR LEDs	2
IR Range	Up to 50m
Wavelength	850nm
White/Warmlight LEDs	N/A
<b>Compression Standard</b>	
Video Compression	H.265/H.265/H.264/M-JPEG
Video Bit Rate	32Kbps~16Mbps
Audio Compression	G.711A/G.711U/ADPCM/AAC
Audio Bit Rate	8K~48Kbps
<b>Image</b>	
Max. Resolution	2592×1944
Main Stream	PAL: 25fps (2592×1944, 2592×1520, 2560×1440, 2304×1296), 50fps (1920×1080, 1280×720) NTSC: 30fps (2592×1944, 2592×1520, 2560×1440, 2304×1296), 60fps (1920×1080, 1280×720)
Sub Stream	PAL: 25fps (704×576, 704×288, 640×360, 352×288) NTSC: 30fps (704×480, 704×240, 640×360, 352×240)
Third Stream	PAL: 25fps(1920×1080, 1280×720, 704×576, 704×288, 640×360, 352×288) NTSC: 30fps(1920×1080, 1280×720, 704×480, 704×240, 640×360, 352×240)
Image Setting	Saturation, brightness, contrast, sharpness, adjustable by client software or web browser
Image Enhancement	BLC/3D DNR/HLC/Corridor Format
ROI	Support 8 fixed regions of coding
OSD	16×16, 32×32, 48×48, 64×64, adaptable size, Letters Such as Week, Date, Time, Total 8 Regions
Picture Overlay	Yes
Privacy Mask	Yes, 4 regions
Smart Defog	Yes
<b>Feature</b>	
Alarm Trigger	Event Input, Event Output, Motion Detection, Mask Alarm, Disk Full, Disk R/W Error, IP Address Conflict, MAC Address Conflict, FTP Server Exception, Voltage Abnormal
Video Analytics	Tripwire, Double Tripwire, Perimeter, Object Abandon, Object Lost, Loitering, Running, Parking, Crowded, People Counting, On Duty Detection, Video Abnormal, Audio Abnormal, Heatmap, Face Capture(Face Detection), Safety Helmet Detection, Human/Vehicle Classification
Early Warning(EW)	N/A

Network	
<b>ANR</b>	Yes, auto store video in SD card when NVR disconnected, and upload video to NVR when resumed connection (Only Support Tiandy ANR NVR)
<b>Protocols</b>	TCP/IP, ICMP, HTTP, HTTPS, DHCP, DNS, DDNS, RTP, RTSP, RTCP, PPPoE, MULTICAST, UPnP, FTP, IPV4, NTP, SMTP, IGMP, 802.1x, QoS, IPV6, ARP, UDP, SNMP, SSL, SIP, Telnet, SNTP, RTMP, SFTP, NFS
<b>System Compatibility</b>	ONVIF (PROFILE S/T/G), SDK, Milestone, CGI, P2P
<b>Remote Connection</b>	≤7
<b>Client</b>	Easy7, EasyLive
<b>Web Version</b>	Web6
Interface	
<b>Communication Interface</b>	1 RJ45 10M/ 100M self adaptive Ethernet port
<b>Audio</b>	1/1, Mic in
<b>Alarm</b>	1/1
<b>Reset Button</b>	Yes
<b>On-board storage</b>	Built-in Micro SD card slot, up to 512 GB
General	
<b>Firmware Version</b>	-
<b>Web Client Language</b>	15 languages English, Russian, Spanish, Korean, Italian, Turkish, Simple Chinese, Traditional Chinese, Thai, French, Polish, Dutch, Hebraism, Arabic, Vietnamese
<b>Operating Conditions</b>	-40°C ~ 65°C, 0 ~ 95% RH
<b>Power Supply</b>	DC12V±25%/PoE
<b>Power Consumption</b>	MAX: 6W (12V) MAX: 7W (PoE)
<b>Protection</b>	IP67, Lightning protection, surge protection and voltage transient protection meets EN 55035:2017
<b>Heater</b>	N/A
<b>Dimensions</b>	160.8×68×74.5mm (6.33×2.68×2.93inch)
<b>Weight</b>	0.50Kg (1.10lb)

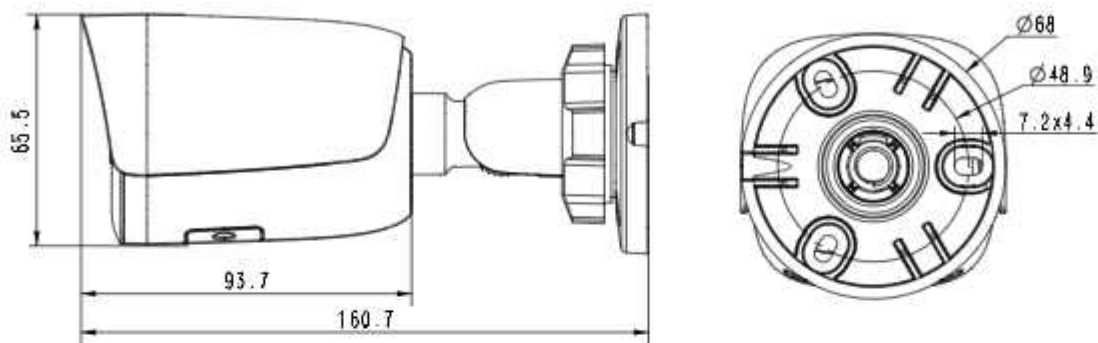
\* Listed resolutions are only selectable options. It does not mean that all streams can work at their maximum resolution at the same time.

## AVAILABLE MODEL

**TC-C35WS SPEC: I5/E/Y/M/H/2.8MM/V4.0**

**TC-C35WS SPEC: I5/E/Y/M/H/4MM/V4.0**

## DIMENSIONS



## ACCESSORIES



A35  
CORNER MOUNT



TC-P54BM SPEC: V5  
JUNCTION BOX



A36  
POLE MOUNT

DISTRIBUTED BY



**Tiandy Technologies Co., Ltd.**

Email: [sales@tiandy.com](mailto:sales@tiandy.com)

Tel: +86-22-58596178

Website: [en.tiandy.com](http://en.tiandy.com)

Fax: +86-22-58596048