

TC-C32JN Spec: I5/E/C/4mm

2MP IR Bullet Camera

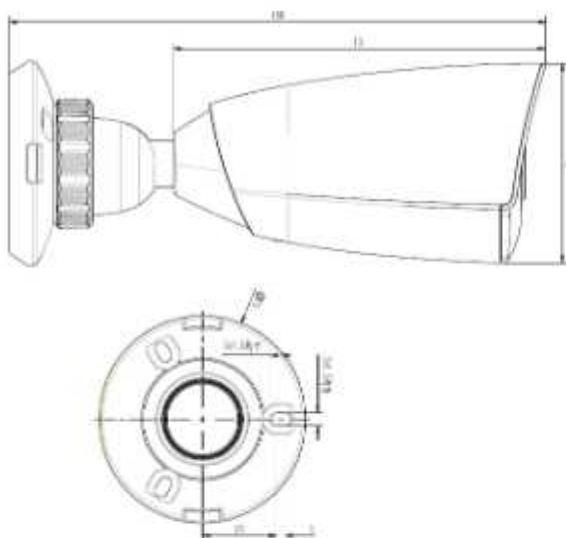
Tiandy



Features

- Up to 1920X1080@30fps
- S+265/H.265/H.264/M-JPEG Codec
- Min. Illumination Color: 0.05 Lux, B/W: 0.01Lux, 0 Lux with IR
- Smart IR, IR Range: 50m
- Operating Conditions -3560(IR OFF) /-3040(IR ON), 095% RHG
- PoEIP67, Metal Housing

Dimensions



Camera	
Image Sensor	1/2.9" CMOS
Signal System	PAL/NTSC
Min. Illumination	Color: 0.05Lux B/W: 0.01Lux
Shutter Time	1s to 1/100,000s
Lens	4mm
Lens Mount	M12
Day/Night	IR Cut Filter with Auto Switch
Wide Dynamic Range	100dB
Digital Noise Reduction	3D DNR
Compression Standard	
Video Compression	S+265/H.265/H.264/M-JPEG
Video Bit Rate	32Kbps-8Mbps
Audio Compression	N/A
Audio Bit Rate	N/A
Image	
Max. Image Resolution	1920x1080
Frame Rate	PAL:1080p@25fps, 960p@25fps, 720p@25fps, D1@25fps, VGA@25fps NTSC:1080p@30fps, 960p@30fps, 720p@30fps, D1@30fps, VGA@30fps
Mainstream	1080P(1920*1080)
Substream	4CIF (704*480)
3rd Stream	N/A
Image Settings	Brightness, Saturation, Contrast, Flip Mode Adjustable by Client Software or Web Browser
HLC	Y
Smart Defog	Y
Corridor Format	N/A
ROI	N/A
Privacy Mask	Y
Picture Overlay	N/A
OSD	16x16, 32x32, 48x48, Size Letters Such as Week, Date, Time, Total 1 Regions
Network	
Network Storage	N/A
NTP	Y
ANR	N/A
Video Analytics	N/A
BW	N/A
Alarm Trigger	Motion Detection/IP Conflict/MAC Conflict
Protocols	TCP/UDP/HTTP/DHCP/DNS/FTP/RTSP
Remote Connection	N/A
System Compatibility	ONVIF (Profile S)
Interface	
Audio Input	N/A
Audio Output	N/A
Communication Interface	1-ch RJ45 10M / 100M Ethernet Interface
Alarm Input	N/A
Alarm Output	N/A
Video Output	N/A
On-board Storage	N/A
Extension	N/A
General	
Language	English, Simplified Chinese, Traditional Chinese, Spanish, Italian, Korean, Turkish, Russian, Thai, Polish, French
Operating Conditions	-35°C ~ 60°C, 0 ~ 95% RHG
Power Supply	DC 12V ± 25%, POE
Power Consumption	MAX 7.5W (POE) / MAX 6W (DC12V)
IR Light	2
IR Distance	50m
White Light	N/A
Impact Protection	IP67
Dimensions	128mm (length) x 73mm (width) x 70mm (height)
Weight	0.75KG

* The latest product information / specification can be found at <http://en.tiandy.com/>



Tiandy Technologies Co., Ltd | en.tiandy.com

Add: No.8, Huake Rd2, Binhai Hi-Tech Industry(Huayuan), Tianjin 300384 China

Tel: +86-22-58596037 Email: sales@tiandy.com

