

Tiandy



TC-H358M Spec: 44X/IT/A

Thermal & Optical Bi-spectrum AI PTZ Camera



Ultra Series

KEY FEATURES

- Supports optical and thermal bi-spectrum image
- Vanadium Oxide Uncooled Focal Plane Arrays
- Thermal Resolution 384×288
- Optical Resolution up to 3072×1728@30fps
- Min. illumination Color: 0.001Lux@F1.6
- Optical zoom: 44×, digital zoom 16×
- Smart IR, IR Range: 300m
- Built-in Speaker
- Built-in Automatic Wiper
- Built-in Electronic Compass
- Support GPS/BDS
- S+265/H.265/H.264/M-JPEG
- Intelligent monitoring/Face Capture mode
- Support Human/Vehicle Classification
- Support Laser Point
- Plugin Free
- IP66



Tiandy Technologies Co.,Ltd.

Email: sales@tiandy.com
Website: en.tiandy.com

Tel: +86-22-58596178
Fax: +86-22-58596048



SPECIFICATIONS

Thermal parameters	
Thermal Sensor Type	Vanadium Oxide Uncooled Focal Plane Arrays
Thermal Length	Fixed 50mm
Resolution	384×288
Pixl Interval	17μm
Response Waveband	8μm~14μm
NETD	≤40mK@f/1.0
Thermal FOV	Horizontal: 7.5°, Vertical: 5.6°
Measurement Distance Based on the reference: human (1.8m × 0.5m) vehicle (4m × 1.4m)	Detection: 4510m (vehicle), 1471m (human) Recognition: 1127m (vehicle), 368m (human) Identification: 564m (vehicle), 184m (human)
Fire Detection Distance Based on the reference: fire (2m×2m)	3000m
Main Stream	PAL: 25fps (384×288) NTSC: 30fps (384×288)
Sub Stream	PAL: 25fps (384×288) NTSC: 30fps (384×288)
Third Stream	PAL: 25fps (384×288) NTSC: 30fps (384×288)
Camera	
Image Sensor	1/1.8" CMOS
Signal System	PAL/NTSC
Min. Illumination	Color: 0.001lux@ (F1.6, ACG ON), BW: 0lux with IR
Shutter Time	1s to 1/100,000s
Day & Night	Dual IR Cut Filter with Auto Switch
Wide Dynamic Range	140dB
Optical Zoom	44×
Digital Zoom	16×
Lens	
Focal Length	6mm~264mm
Zoom Speed	<5s
Angle of View	Horizontal filed of view: 61.8° (w)~2.3° (t)
Aperture Range	F1.6~F5.3
Pan&Tilt	
Pan Range	360°
Pan Speed	Pan Manual Speed: 0.1°~160°/s, Pan Preset Speed: 200°/s
Tilt Range	-16°~90° (Auto flip)
Tilt Speed	Tilt Manual Speed: 0.1°~120°/s, Tilt Preset Speed: 120°/s
3D Position	Yes
Presets	500
Preset Accuracy	±0.3°
Scan	8
Cruise	16, up to 32 presets per cruise
Pattern	8, each with 600s memory or 1000 orders
Power-off Memory	Yes
RS-485 Protocols	DOME_PELCO_D , DOME_PELCO_P , DOME_PLUS



Illuminator	
IR LEDs	11
IR Range	Up to 300m
IR Irradiation Angle	Adjustable by Zoom
White LEDs	2, support white/blue/red light flash
Compression Standard	
Video Compression	S+265/H.265/H.264/M-JPEG
Video Bit Rate	32Kbps~16Mbps
Audio Compression	G.711A/G.711U/ADPCM_D/AAC_LC
Audio Bit Rate	8K ~ 48Kbps
Image	
Max. Resolution	5.0MP (3072×1728)
Main Stream	PAL: 25fps (3072×1728), 50fps (2560×1440, 2304×1296, 1920×1080, 1280×720) NTSC: 30fps (3072×1728), 60fps (2560×1440, 2304×1296, 1920×1080, 1280×720)
Sub Stream	PAL: 25fps (704×576, 704×288, 640×360, 352×288) NTSC: 30fps (704×480, 704×240, 640×360, 352×240)
Third Stream	PAL: 25fps (1920×1080, 1280×720, 704×576, 640×480, 704×288, 352×288) NTSC: 30fps (1920×1080, 1280×720, 704×480, 640×480, 704×240, 352×240)
Image Setting	Saturation, brightness, contrast, sharpness, adjustable by client software or web browser
Image Enhancement	BLC/3D DNR/HLC
ROI	7 Dynamic Areas for Both Main and Sub Stream
OSD	16×16, 24×24, 32×32, 48×48, 64×64, 96×96, 128×128, adaptable size, Letters such as Week, Date, Time, Total 5 Regions
Picture Overlay	Yes
Privacy Mask	Yes
Smart Defog	Yes
Feature	
Alarm Trigger	Harsh Voice Alarm, Motion Detection, Mask Alarm, Network Disable Alarm, IP Conflict, MAC Conflict Detection
Video Analytics (Optical)	Tripwire, Double Tripwire, Perimeter, Object Abandon, Object Lost, Loitering, Running, Heatmap, Video Abnormal, Crowd, Audio Abnormal, Demographics(People Counting), On Duty Detection, Safety Helmet Detection, Auto tracking, Face Capture, Early Warning
Video Analytics (Thermal)	Tripwire, Double Tripwire, Perimeter, Temperature Alarm, Fire/Smoke Detection
Early Warning(EW)	Yes
Auto-Tracking	Yes
Face Detection and Analytics	
Operating Mode	Face capture, intelligent monitoring optional, default intelligent monitoring
Face Detection Performance	Detects up to 32 faces at the same scene
Face Exposure Brightness	Default 35, 1~100 brightness optional
Min. Face Pixel	Default 80, 19~1920 optional
Precautionary Alert	Three level
Network	
Protocols	TCP/UDP/HTTP/MULTICAST/UPnP/DHCP/PPPoE/DDNS/NFS/FTP/NTP/RTP/RTSP/IPv6/SNMP/SMTP/RTMP
System Compatibility	ONVIF (PROFILE S/T/G), SDK, CGI, P2P
ANR	Auto store video in SD card when NVR disconnected, and upload video to NVR when resumed connection (Only Support Tiandy ANR NVR)



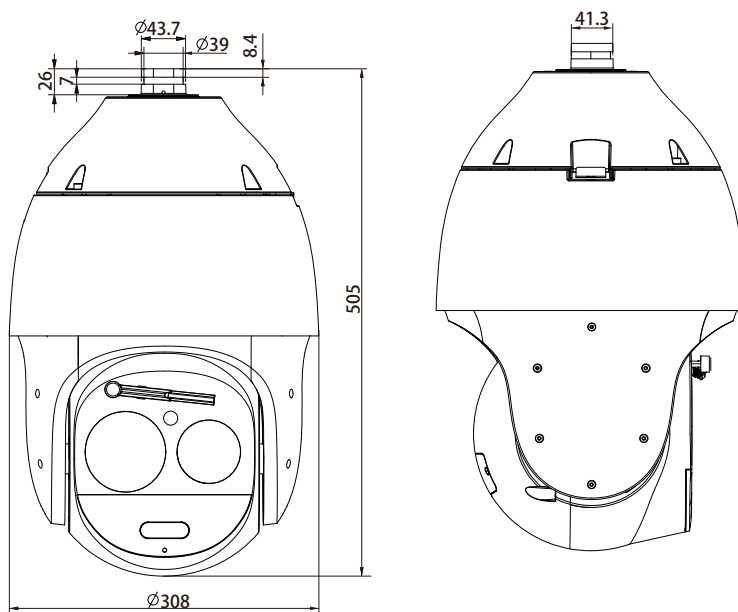
Remote Connection	≤7
Client	Easy7, EasyLive
Web Version	web6
Interface	
Communication Interface	2 RJ45 100M/1000M self adaptive Ethernet ports
Audio	1/1
Alarm	8/2
Speaker	Yes
Reset Button	Yes
On-board storage	Built-in Micro SD card slot, up to 256 GB
RS-485	Yes
BNC	Yes
Wiper	Yes, automatic wiper
Electronic Compass	Yes
GPS/BDS	Yes
General	
Firmware Version	-
Web Client Language	15 languages Simple Chinese, Traditional Chinese, English, Spanish, Korean, Italian, Turkish, Russian, Thai, French, Polish, Dutch, Hebraism, Arabic, Vietnamese
Operating Conditions	-40°C~70°C (IR OFF), -40°C~40°C (IR ON), 0-95%RH
Power Supply	AC24V±25%, DC24V±10%
Power Consumption	30W(IR OFF), 66.96W(IR ON)
Protection	IP66, Lightning protection, surge protection and voltage transient protection meets EN 55035:2017
Heater	N/A
Dimensions	Φ445x700mm (Φ308x506inch)
Weight	11.85kg (21.62lb)

* Listed resolutions are only selectable options. It does not mean that all streams can work at their maximum resolution at the same time.

AVAILABLE MODEL

TC-H358M SPEC: 44X/IT/A

DIMENSIONS (Unit: mm)



ACCESSORIES

INCLUDED



DF20Y
Wall Mount

OPTIONAL



A37
Installation Adapter



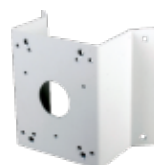
A38
Ceiling Mount



DF21Y
Pendant Mount



A36
Pole Mount



A35
Corner Mount



811
Junction Box

DISTRIBUTED BY



Tiandy Technologies Co.,Ltd.

Email: sales@tiandy.com
Website: en.tiandy.com

Tel: +86-22-58596178
Fax: +86-22-58596048