

Tiandy



TC-H326S Spec: 33X/I/E++/A

2MP 33× Starlight IR POE AI PTZ Camera



Pro Series

KEY FEATURES

- Up to 1920×1080@60fps
- Min. illumination Color: 0.001Lux@F1.5
- Optical zoom: 33×, digital zoom 16×
- Smart IR, IR Range: 200m
- S+265/H.265/H.264/M-JPEG
- Support Human/Vehicle Classification
- Intelligent monitoring/ Face Capture mode
- Support Auto-tracking
- Plugin Free
- IP67



Tiandy Technologies Co.,Ltd.

Email: sales@tiandy.com

Tel: +86-22-58596178

Website: en.tiandy.com

Fax: +86-22-58596048



SPECIFICATIONS

Camera	
Image Sensor	1/2.8" CMOS
Signal System	PAL/NTSC
Min. Illumination	Color: 0.001lux@ (F1.5, AGC ON), BW: 0lux with IR
Shutter Time	1s to 1/100,000s
Day & Night	Dual IR Cut Filter with Auto Switch
Wide Dynamic Range	140dB
Optical Zoom	33x
Digital Zoom	16x
Lens	
Focal Length	4.6mm~152mm
Zoom Speed	<4s
Angle of View	Horizontal: 60.0° (w)~2.3° (t) Vertical: 34.4° (w)~1.5° (t)
Aperture Range	F1.5~F4.0
Pan&Tilt	
Pan Range	360°
Pan Speed	Pan Manual Speed: 0.1°~180°/s, Pan Preset Speed: 240°/s
Tilt Range	-16°~90° (Auto flip)
Tilt Speed	Tilt Manual Speed: 0.1°~120°/s, Tilt Preset Speed: 180°/s
3D Position	Yes
Presets	500
Preset Accuracy	±0.4°
Scan	8
Cruise	16, up to 32 presets per cruise
Pattern	8, each with 600s memory or 1000 orders
Power-off Memory	Yes
RS-485 Protocols	DOME_PELCO_D, DOME_PELCO_P, DOME_PLUS
Illuminator	
IR LEDs	10
IR Range	Up to 200m
IR Irradiation Angle	Adjustable by Zoom
White LEDs	N/A
Compression Standard	
Video Compression	S+265/H.265/H.264/M-JPEG
Video Bit Rate	32Kbps~16Mbps
Audio Compression	G.711A/G.711U/ADPCM_D/AAC_LC
Audio Bit Rate	8K ~ 48Kbps
Image	
Max. Resolution	2.0MP (1920×1080)
Main Stream	PAL: 50fps (1920×1080, 1280×720, 704×576, 640×480) NTSC: 60fps (1920×1080, 1280×720, 704×480, 640×480)
Sub Stream	PAL: 25fps (704×576, 704×288, 640×360, 352×288) NTSC: 30fps (704×480, 704×240, 640×360, 352×240)
Third Stream	PAL: 25fps(1920x1080, 704x576, 704x288, 352x288) NTSC: 30fps(1920x1080, 704x480, 704x240, 352x240)
Image Setting	Saturation, brightness, contrast, sharpness, adjustable by client software or web browser
Image Enhancement	BLC/3D DNR/HLC
ROI	7 Dynamic Areas for Both Main and Sub Stream, support auto-tracking ROI
OSD	16×16, 24×24,32×32, 48×48, 64x64, 96x96, adaptable size, Letters Such as Week, Date, Time, Total 5 Regions
Picture Overlay	Yes
Privacy Mask	Yes
Smart Defog	Yes



Feature	
Alarm Trigger	Harsh Voice Alarm, Motion Detection, Mask Alarm, Port Alarm, Network Disable Alarm, IP Conflict, MAC Conflict Detection
Video Analytics	Tripwire, Double Tripwire, Perimeter, Object Abandon, Object Lost, Loitering, Running, Parking, Heatmap, Video Abnormal, Crowd, Audio Abnormal, Demographics(People Counting), On Duty Detection, Safety Helmet Detection, Auto tracking, Face Capture
Early Warning(EW)	N/A
Auto-Tracking	Yes
Face Detection and Analytics	
Operating Mode	Face capture, intelligent monitoring optional, default intelligent monitoring
Face Detection Performance	Detects up to 16 faces at the same scene
Face Exposure Brightness	Default 35, 1~100 brightness optional
Min. Face Pixel	Default 80, 19~1920 optional
Precautionary Alert	Three level
Network	
Protocols	TCP/IP, ICMP, HTTP, HTTPS, FTP, DHCP, DNS, DDNS, RTSP, PPPoE, NTP, UPnP, SMTP, IGMP, QoS, IPV4, IPV6, MULTICAST, RTMP
System Compatibility	ONVIF (PROFILE S/T/G), SDK, CGI, P2P
ANR	Auto store video in SD card when NVR disconnected, and upload video to NVR when resumed connection (Only Support Tiandy ANR NVR)
Remote Connection	≤7
Client	Easy7, EasyLive
Web Version	web6
Interface	
Communication Interface	1 RJ45 10M/100M self adaptive Ethernet port
Audio	1/1
Alarm	8/2
Speaker	N/A
Reset Button	Yes
On-board storage	Built-in Micro SD card slot, up to 256 GB
RS-485	Yes
BNC	Yes
Wiper	N/A
General	
Firmware Version	-
Web Client Language	15 languages Simple Chinese, Traditional Chinese, English, Spanish, Korean, Italian, Turkish, Russian, Thai, French, Polish, Dutch, Hebraism, Arabic, Vietnamese
Operating Conditions	-40°C~70°C (IR OFF), -40°C~40°C (IR ON), 0-95%RH
Power Supply	AC24V±25% / DC 24V±10% / POE++
Power Consumption	22W(IR OFF), 44.2W(IR ON)
Protection	IP67, Lightning protection, surge protection and voltage transient protection meets EN 55035:2017
Heater	N/A
Dimensions	Φ222x372mm(Φ8.74×14.65inch)
Weight	5.3kg(11.68lb)

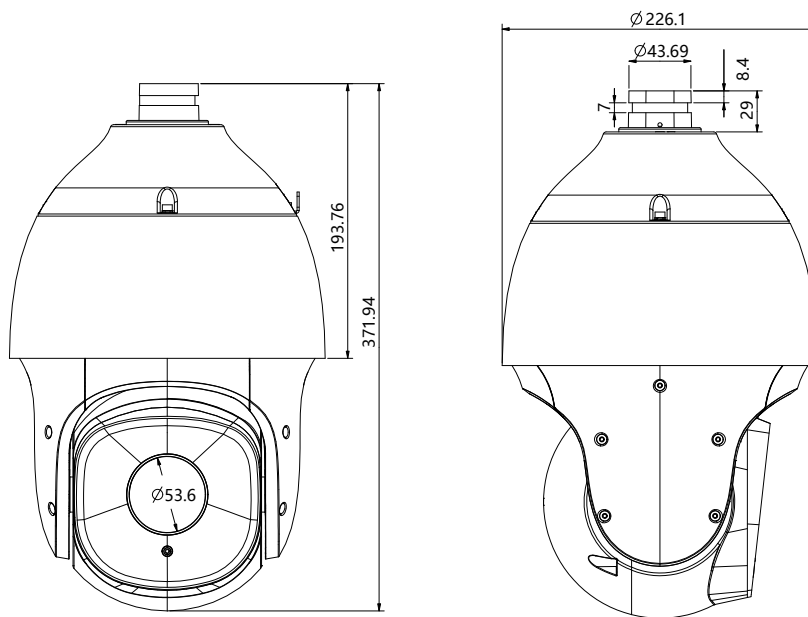
* Listed resolutions are only selectable options. It does not mean that all streams can work at their maximum resolution at the same time.

AVAILABLE MODEL

TC-H326S SPEC: 33X/I/E++/A

Tiandy

DIMENSIONS (Unit: mm)



ACCESSORIES

INCLUDED



DF20Y
Wall Mount

OPTIONAL



A37
Installation Adapter



A38
Ceiling Mount



DF21Y
Pendant Mount



A36
Pole Mount



A35
Corner Mount



811
Junction Box

DISTRIBUTED BY



Tiandy Technologies Co.,Ltd.

Email: sales@tiandy.com

Tel: +86-22-58596178

Website: en.tiandy.com

Fax: +86-22-58596048