

Tiandy



TC-C34LP Spec: I5/E/T/4mm

Thermal & Optical Bi-spectrum Network Bullet Camera



KEY FEATURES

- Supports optical and thermal bi-spectrum image
- Vanadium Oxide Uncooled Focal Plane Arrays
- Thermal Resolution 256×192, output resolution up to 1280×960@25fps
- Measure Accuracy $\pm 0.5^{\circ}\text{C}$, ($\pm 0.3^{\circ}\text{C}$ with blackbody)
- Optical Resolution up to 2560×1440@25fps
- Optical Min. illumination Color: 0.0002Lux@F1.0
- Support Face Capture
- Built-in Mic& Speaker
- POE, IP67



Tiandy Technologies Co., Ltd.

Email: sales@tiandy.com Tel: +86-22-58596065
Website: en.tiandy.com Fax: +86-22-58596048

SPECIFICATIONS

Thermal Module	
Image Sensor	Vanadium Oxide Uncooled Focal Plane Arrays
Max. Resolution	256×192
Pixel Interval	12μm
Response Waveband	8 μm to 14 μm
Focus	3.2mm
NETD	≤50mK@25°C, F1.1, 25Hz
Measurement Range	30°C (86°F) to 45°C (113°F)
FOV	Horizontal field of view: 51°
Measurement Accuracy	±0.5°C
Measurement Distance	0.5m~3m
Optical Module	
Image Sensor	1/1.8" CMOS
Signal System	PAL/NTSC
Min. Illumination	Color: 0.0002Lux@ (F1.0, AGC ON), B/W: 0Lux with IR
Shutter Time	1s to 1/100,000s
Day & Night	Dual IR Cut Filter with Auto-Switch
Wide Dynamic Range	120dB
Lens	
Lens Type	Fixed
Focus	4mm
Lens Mount	M12
Aperture	F1.0
FOV	Horizontal field of view: 90°
Illuminator	
IR LEDs	N/A
IR Range	N/A
Wavelength	N/A
White LEDs	1
Compression Standard	
Video Compression	S+265/H.265/H.264/M-JPEG
Video Bit Rate	32 Kbps to 16 Mbps
Audio Compression	G.711A/G.711U/ADPCM/AAC
Audio Bit Rate	8K~48Kbps
Image	
Max. Resolution	2560×1440
Main Stream	PAL: 25fps (2560×1440, 1920×1080, 1280×720, 704×576), Thermal: 25fps (1280×960, 1024×768, 640×480, 256×192) NTSC: 25fps (2560×1440, 1920×1080, 1280×720, 704×576), Thermal: 25fps (1280×960, 1024×768, 640×480, 256×192)
Sub Stream	PAL: 25fps (704×576, 640×360, 352×288) NTSC: 25fps (704×576, 640×360, 352×288)
Third Stream	1920×1080, 1280×720, 704×576, 640×480, 352×288
Image Setting	Saturation, brightness, contrast, sharpness, adjustable by client software or web browser
Image Enhancement	BLC/3D DNR/HLC
ROI	Support 7 fixed region of coding
OSD	16×16, 24×24, 32×32, 48×48, 64×64, 96×96, adaptable size, Letters Such as Week, Date, Time, Total 5 Regions
Picture Overlay	Yes
Privacy Mask	Yes
Smart Defog	Yes



SPECIFICATIONS

Feature	
Alarm Trigger	Event Input, Event Output, Motion Detection, Mask Alarm, Disk Full, Disk R/W Error, IP Address Conflict, MAC Address Conflict, FTP Server Exception
Video Analytics	Tripwire, Double Tripwire, Perimeter, Object Abandon, Object Lost, Loitering, Running, Parking, Video Abnormal, Audio, Abnormal
Early Warning(EW)	Yes
Network	
ANR	N/A
Protocols	TCP/IP, ICMP, HTTP, HTTPS, DHCP, DNS, DDNS, MULTICAST, UPnP, FTP, IPV4, NTP, RTSP, SMTP, IGMP, 802.1X, QoS, PPPoE
System Compatibility	ONVIF (PROFILE S), SDK, CGI, P2P
Remote Connection	≤7
Client	Easy7
Web Version	Web6
Interface	
Communication Interface	1 RJ45 10M/100M self adaptive Ethernet port
Audio	1/1, Mic in
Alarm	2/1
Reset Button	Yes
On-board storage	Built-in MicroSD card slot, up to 256 GB
General	
Firmware Version	-
Web Client Language	15 languages English, Russian, Spanish, Korean, Italian, Turkish, Simple Chinese, Traditional Chinese, Thai, French, Polish, Dutch, Hebrew, Farsi, Arabic
Operating Conditions	10~30°C
Power Supply	DC12V±20%/PoE
Power Consumption	MAX: 8W
Protection	IP67
Heater	N/A
Dimensions	330×114×107 mm (12.99×4.49×4.21 inch)
Weight	1.3kg (2.87lb)

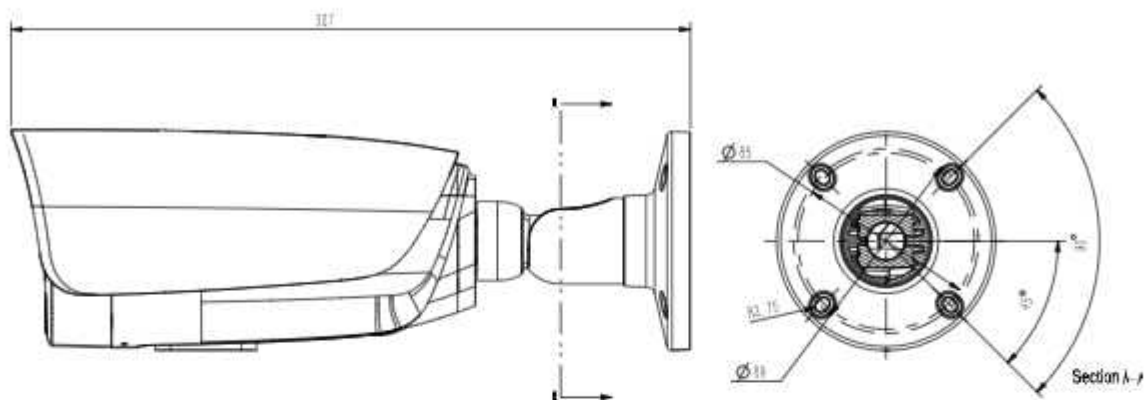
* Listed resolutions are only selectable options. It does not mean that all streams can work at their maximum resolution at the same time.

AVAILABLE MODEL

TC-C34LP SPEC:I5/E/T/4MM

Tiandy

DIMENSIONS (Unit: mm)



ACCESSORIES



A36
Pole Mount



A35
Corner Mount



TC-P54AM Spec:V4
Junction Box



A22
Junction Box

DISTRIBUTED BY



Tiandy Technologies Co., Ltd.

Email: sales@tiandy.com

Tel: +86-22-58596065

Website: en.tiandy.com

Fax: +86-22-58596048